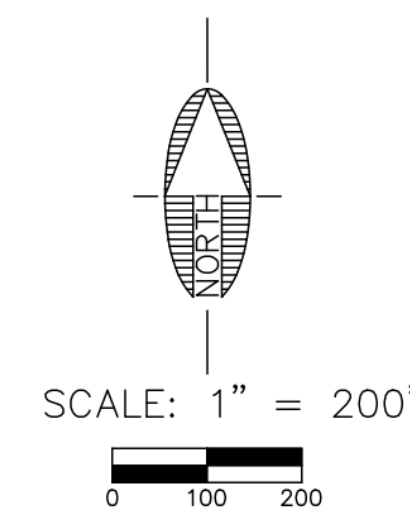
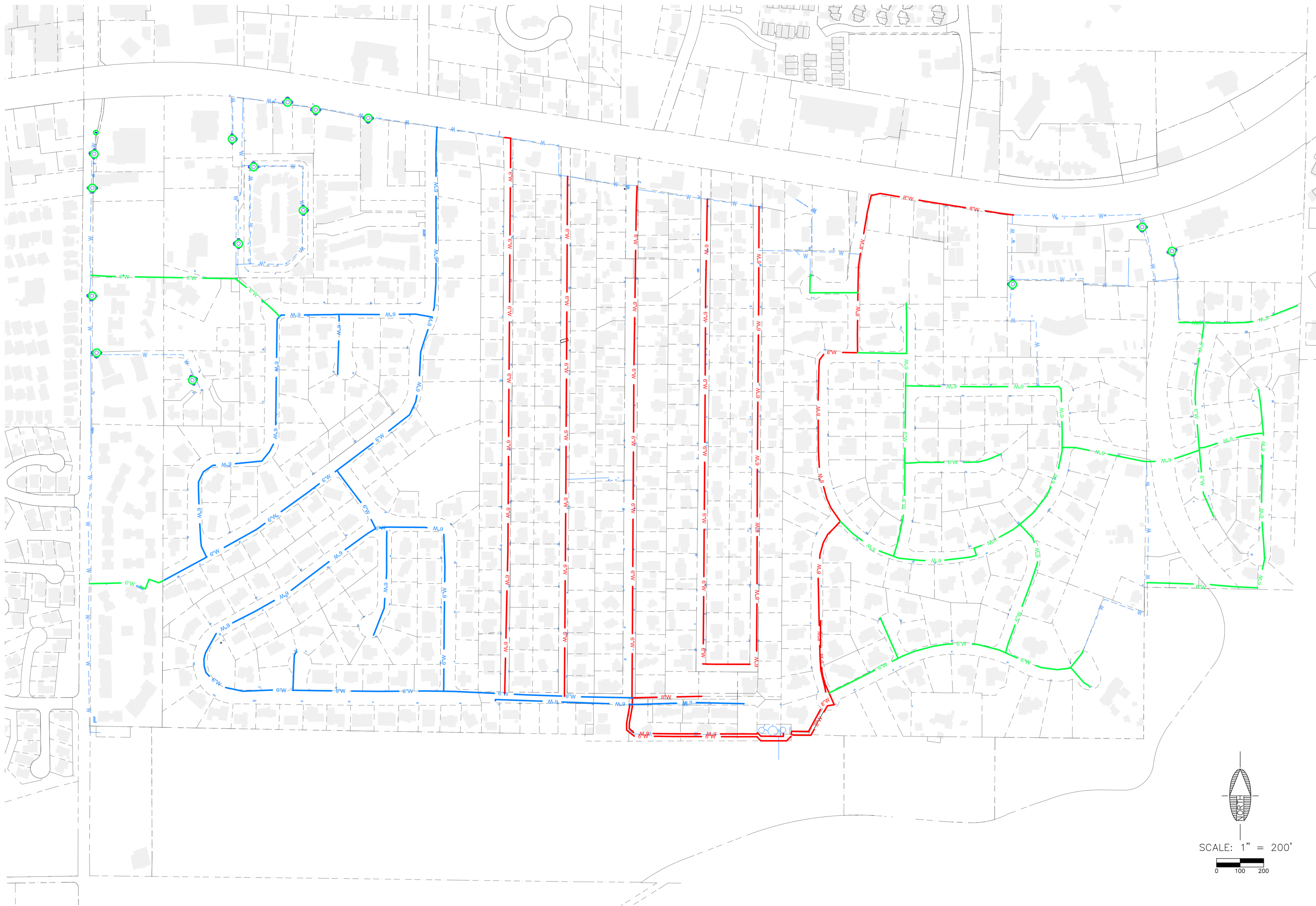


OAK CREEK WATER DISTRICT
R.O.W.'s & EASEMENTS



Contact Arizona 811 at least two full working days before you begin excavation

Call 811 or click Arizona811.com

REVISIONS			
NO.	DESCRIPTION	DATE	BY

Shepard Wesnitzer Inc.

75 Kallol Place
Sedona, AZ 86336
928.282.1061
928.282.2058 fax
www.swiaz.com

JOB NO:	18169
DATE:	APR 23
SCALE:	1"=200'
DRAWN:	JAT
DESIGN:	JAT
CHECKED:	JBW

OAK CREEK WATER DISTRICT

SEDONA ARIZONA

ROWS AND EASEMENTS

DRAWING NO.	
KM01	
SHT NO.	OF